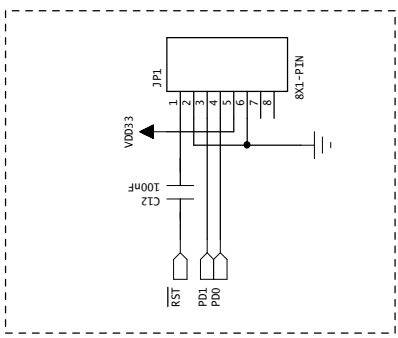
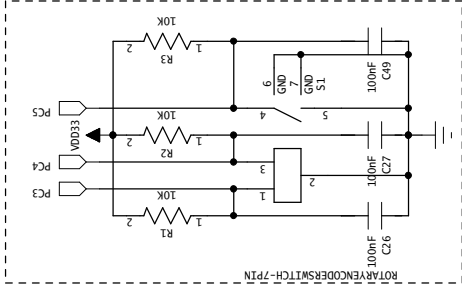
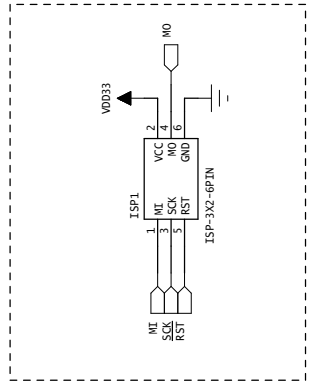
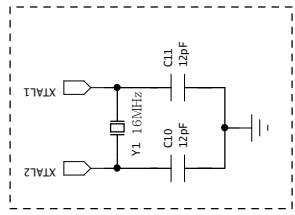
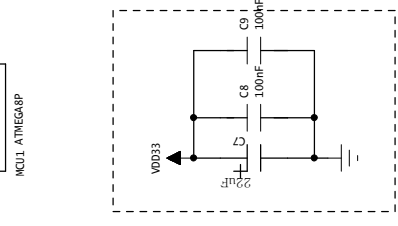


CD: Charge Power  
 FD: Discharge Power



D

C

B

A

Company:

Project Name:

Rev:

Sheet Name: CONTROL

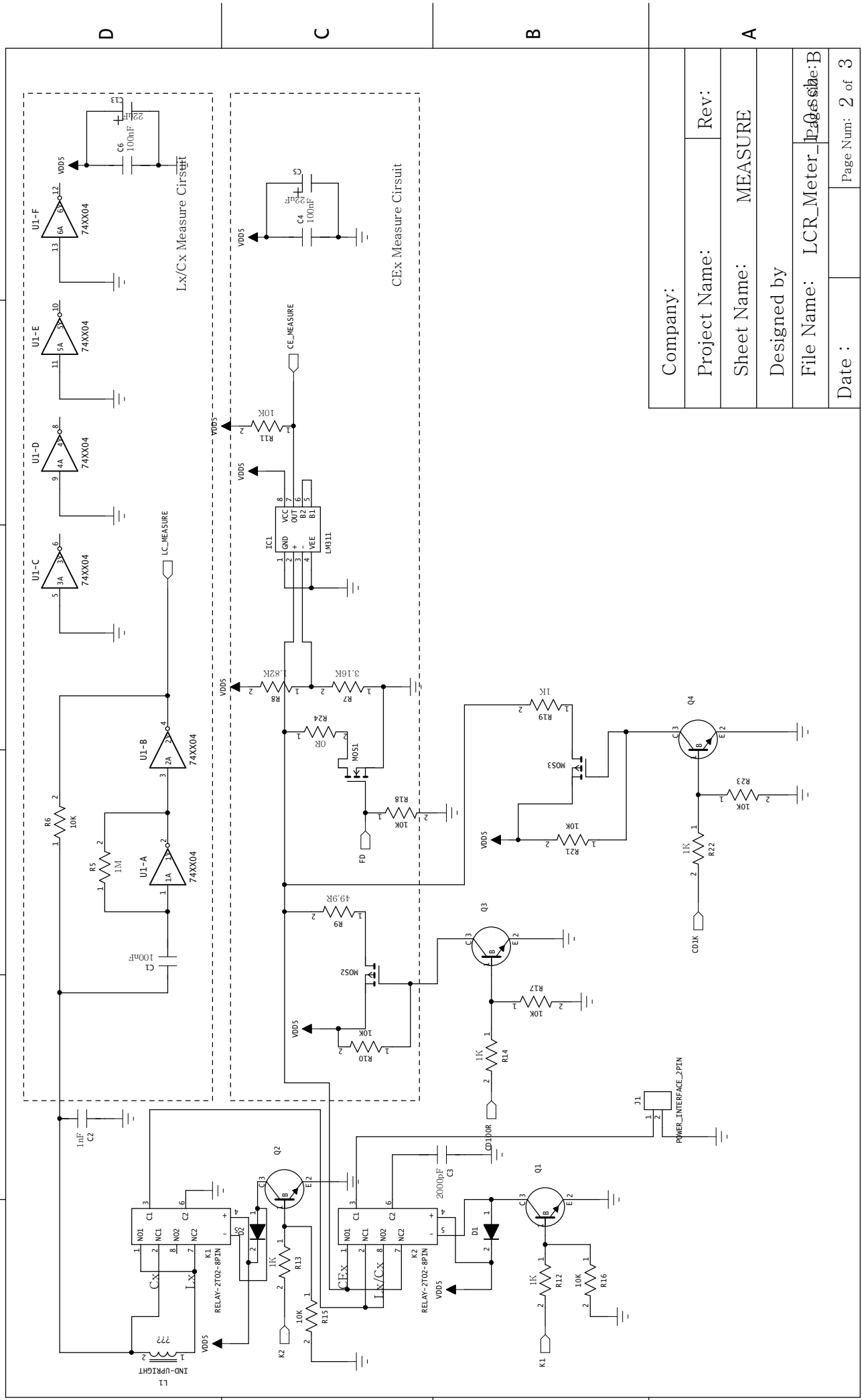
Designed by

File Name: LCR\_Meter\_12082016: B

Date:

Page Num: 1 of 3

1 2 3 4 5 6



Company:	
Project Name:	Rev:
Sheet Name:	MEASURE
Designed by	
File Name:	LCR_Meter_12.05.2016:B
Date:	
Page Num: 2 of 3	

A

B

C

D

1

2

3

4

5

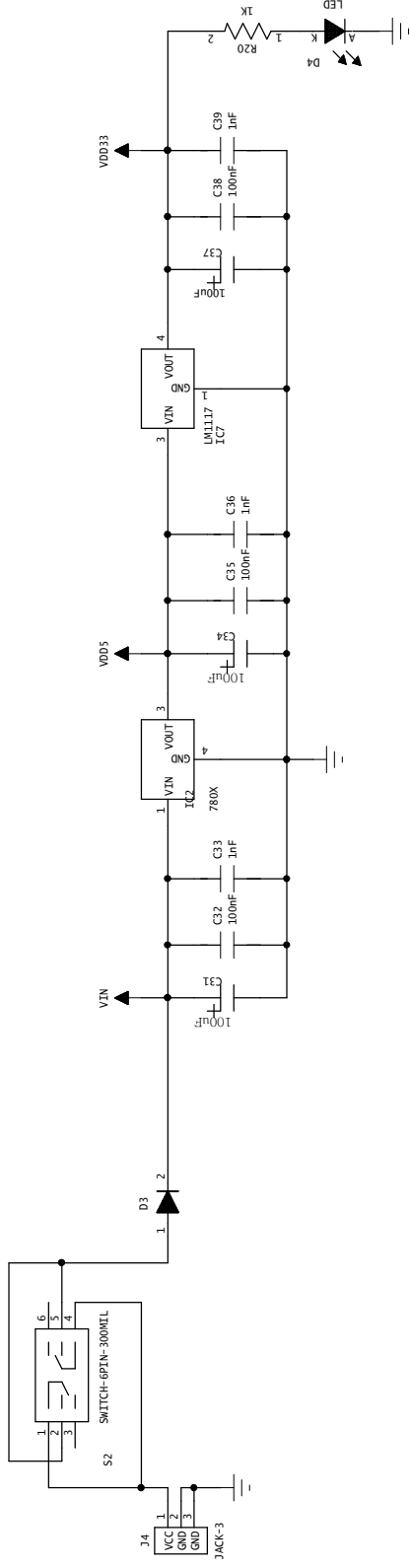
6

D

C

B

A



Company:	
Project Name:	Rev:
Sheet Name: POWER	
Designed by	
File Name: LCR_Meter_	Project: B
Date:	Page Num: 3 of 3

D

C

B

A