

1

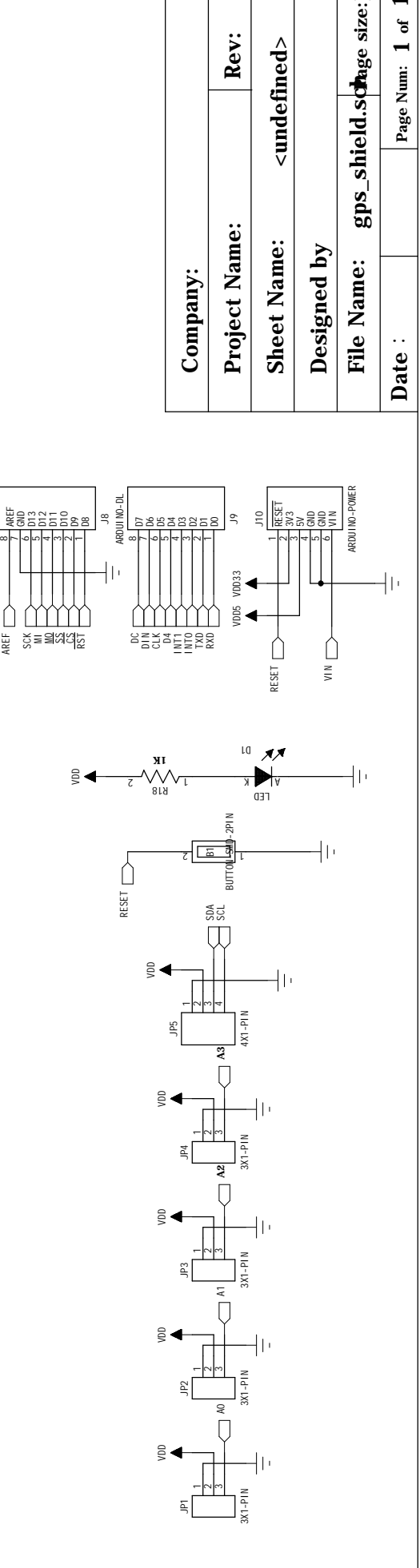
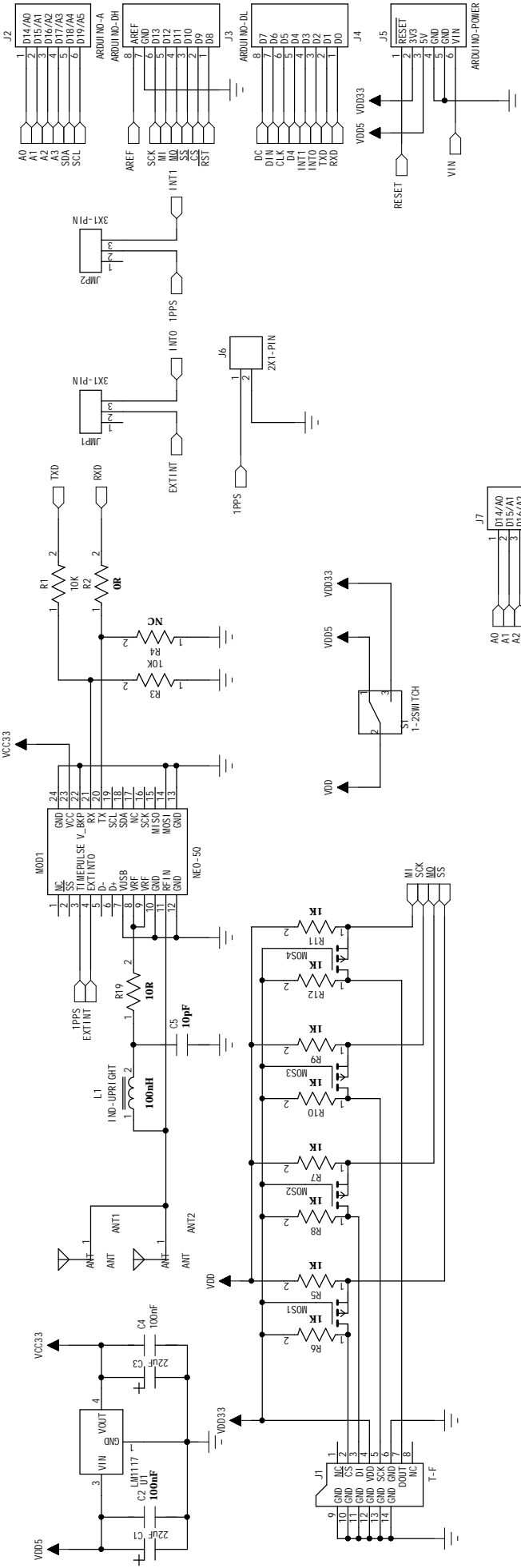
2

3

4

5

6



Company:	
Project Name:	
Sheet Name: <undefined>	
Designed by	
File Name: gps_shield.sch page size:B	
Date :	Page Num: 1 of 1

D

C

B

A

D

C

B

A