

6

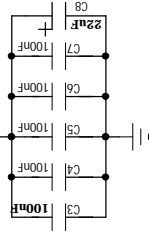
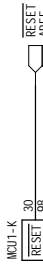
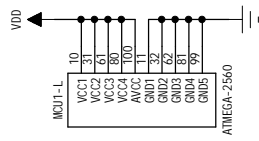
5

4

3

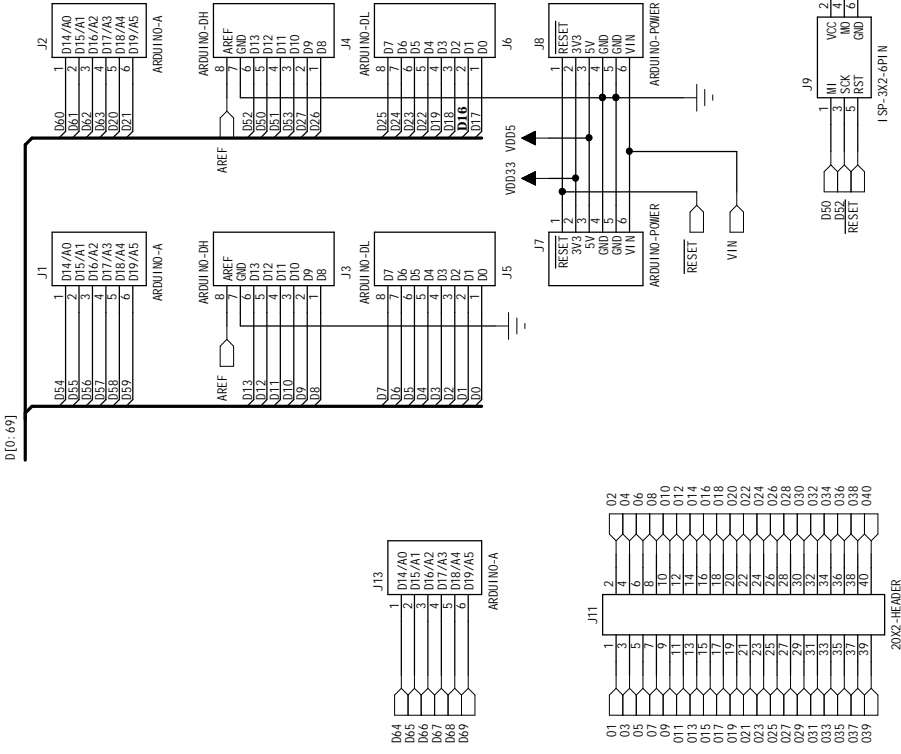
2

1



D[0:69]

D[0:69]



D

C

B

A

Company:

Project Name:

Rev:

Sheet Name: MAIN

Designed by

File Name: iteaduino-2560

Date:

Page Num: 1 of 3

D

C

B

A



1

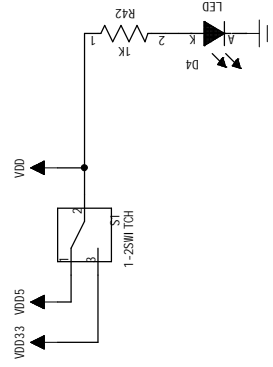
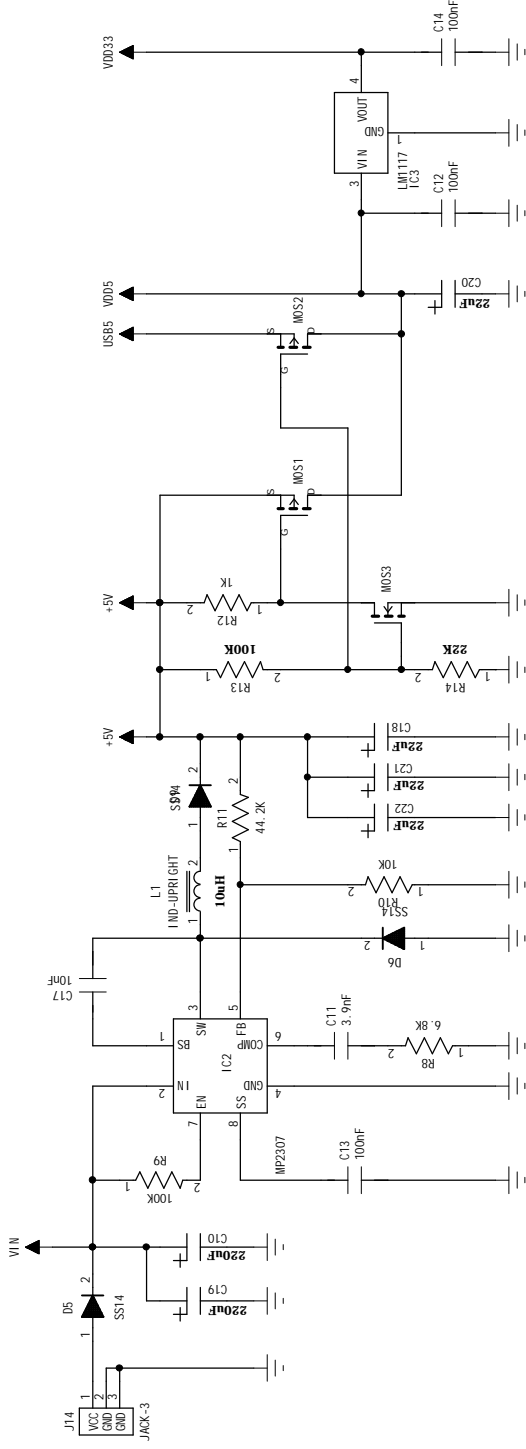
2

3

4

5

6



D

C

B

A

Company:

Project Name:

Rev:

Sheet Name: POWER

Designed by

File Name: iteaduino-2500gschv:B

Date :

Page Num: 3 of 3

D

C

B

A