

1

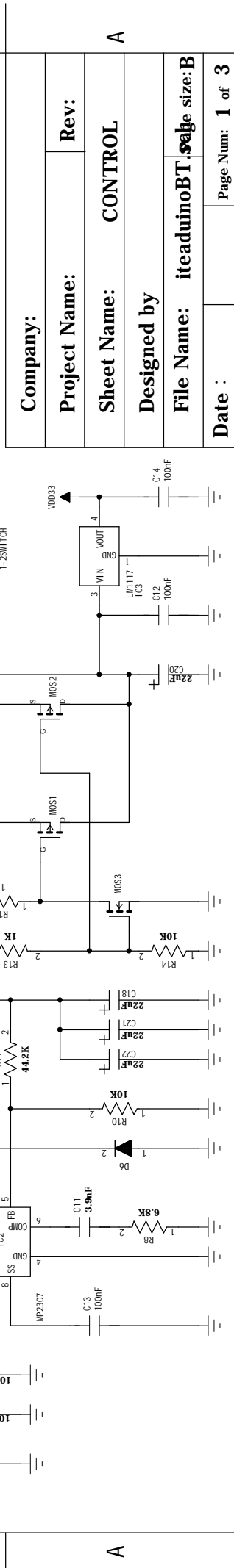
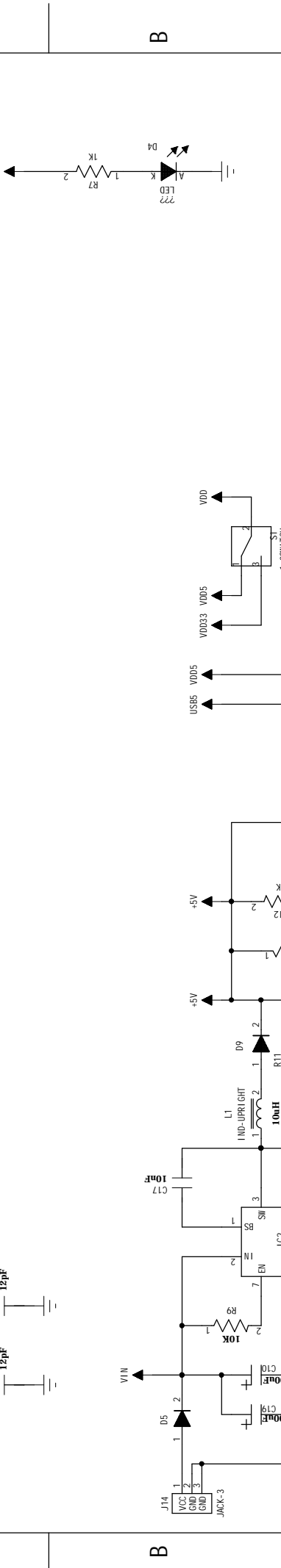
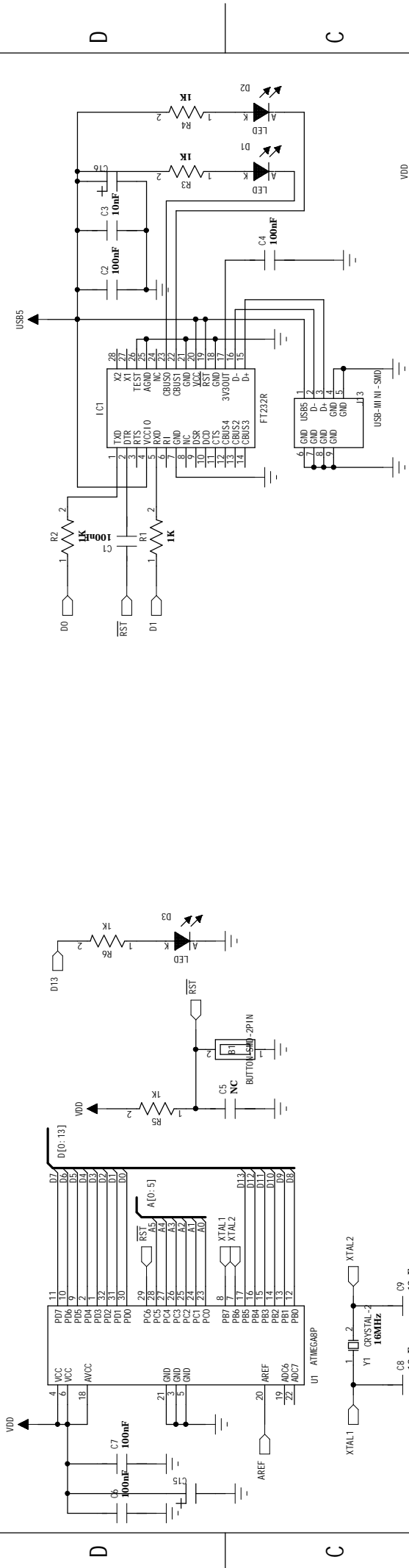
2

3

4

5

6



Company:	
Project Name:	
Sheet Name: CONTROL	
Designed by	
File Name: iteaduinoBT, page size: B	
Date :	Page Num: 1 of 3

6

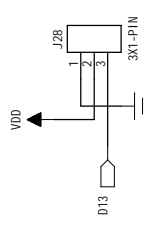
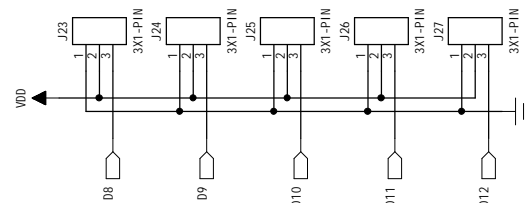
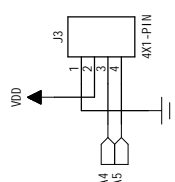
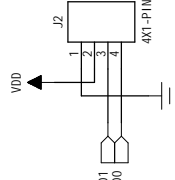
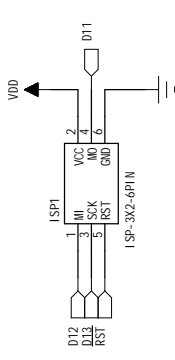
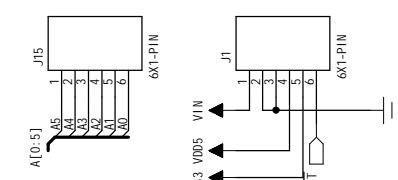
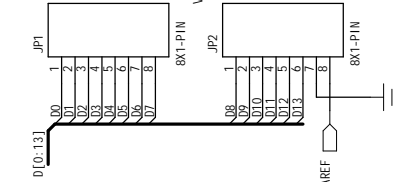
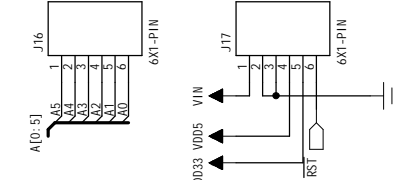
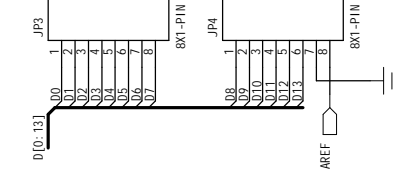
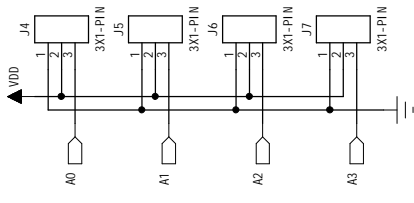
5

4

3

2

1



D

C

B

A

Company:	
Project Name:	Rev:
Sheet Name: INTERFACE	
Designed by	
File Name: iteaduinoBT	Page size: B
Date :	Page Num: 2 of 3

1

2

3

4

5

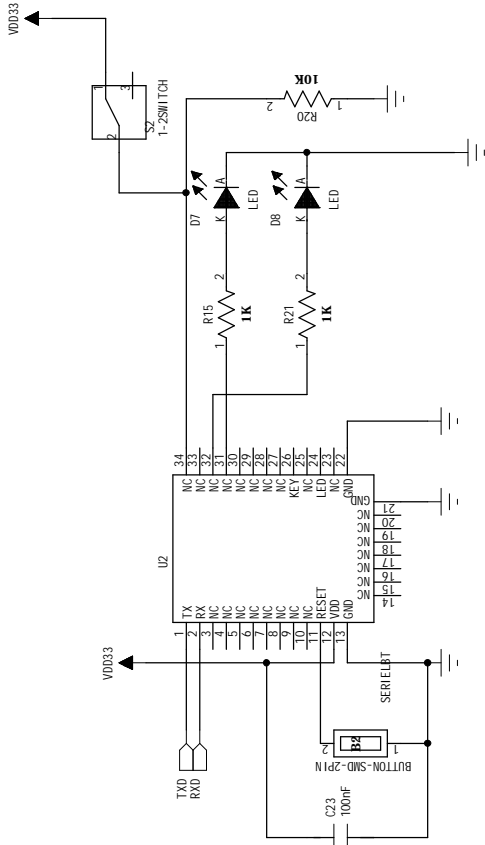
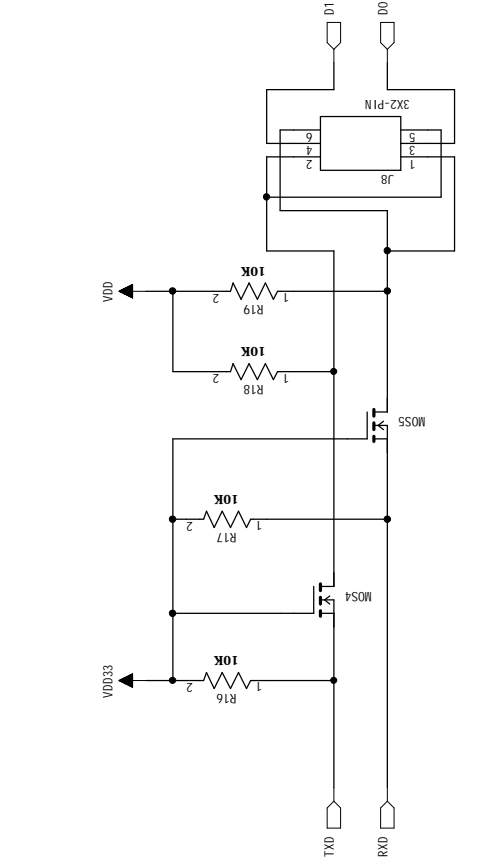
6

D

C

B

A



D

C

B

A

Company:

Project Name:

Rev:

Sheet Name: BT

Designed by

File Name: iteaduinoBT

Page size: B

Date :

Page Num: 3 of 3