

Company:

Project Name: **Rev:**

Sheet Name: **ATMEGA2560**

Designed by

File Name: **ADK.sch** Page size: **B**

Date : Page Num: **1 of 5**

1

2

3

4

5

6

D

C

B

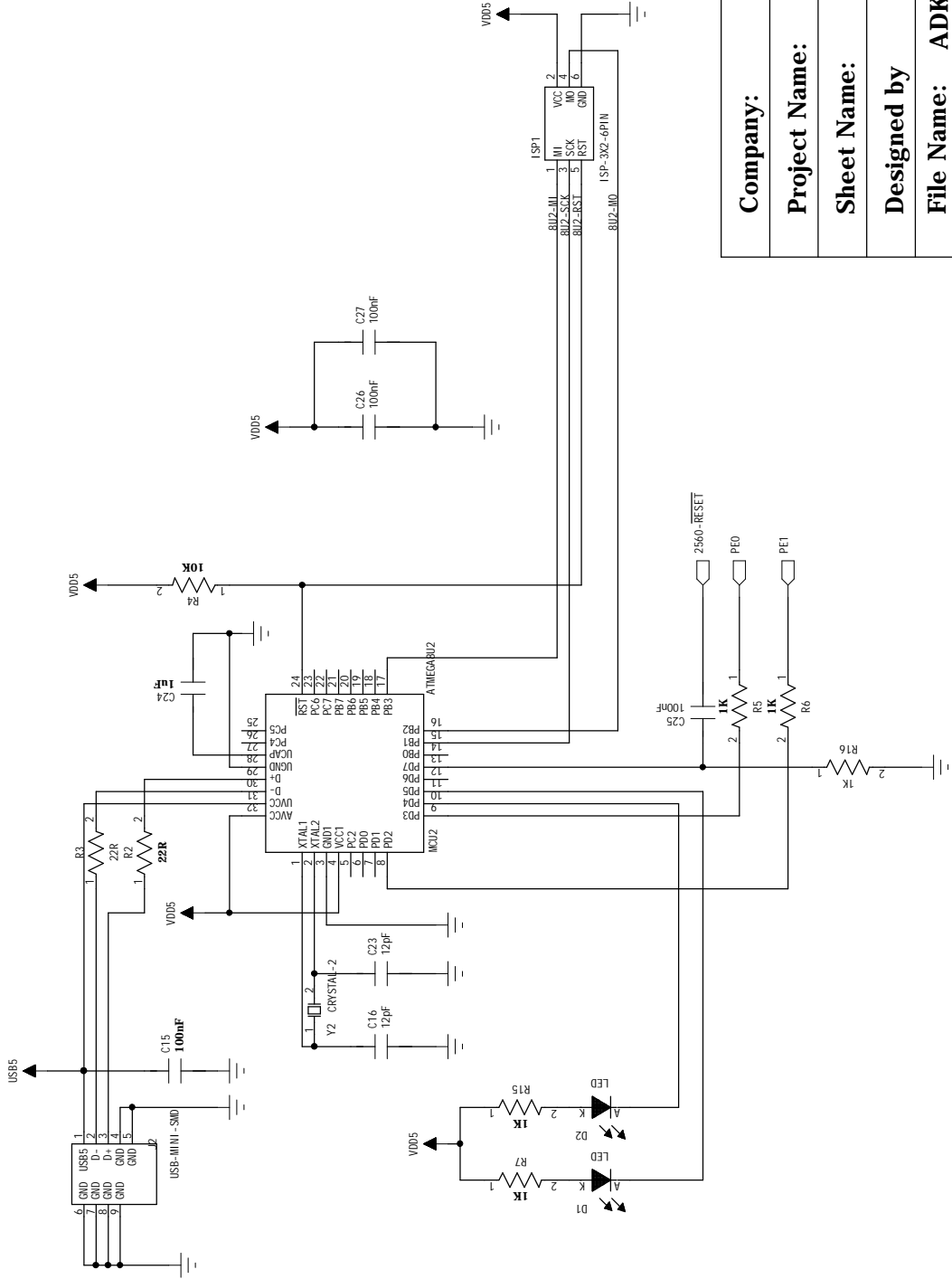
A

D

C

B

A



Company:	
Project Name:	Rev:
Sheet Name: ATMEGA8U2	
Designed by	
File Name: ADK.sch	Page size: B
Date :	Page Num: 2 of 5

1

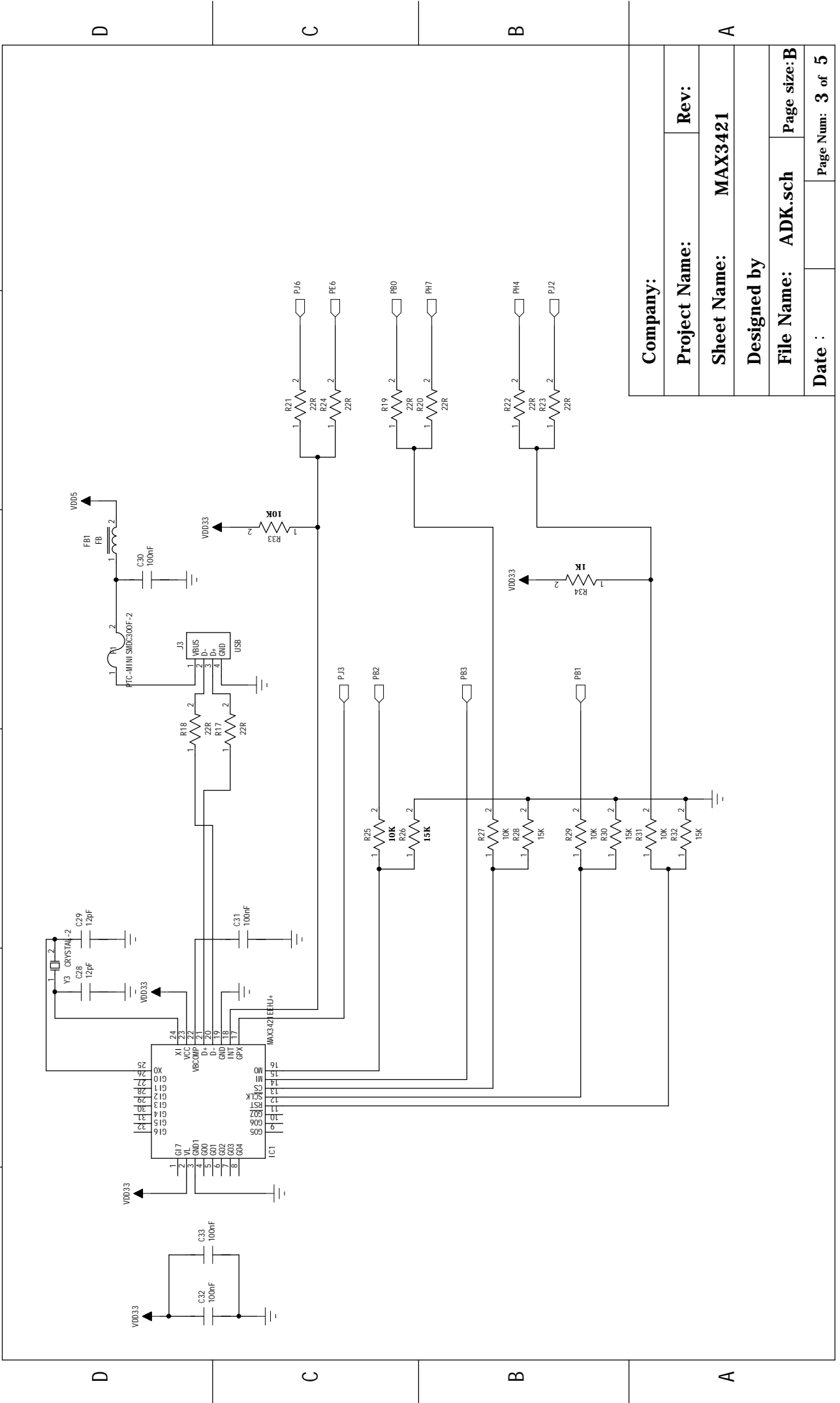
2

3

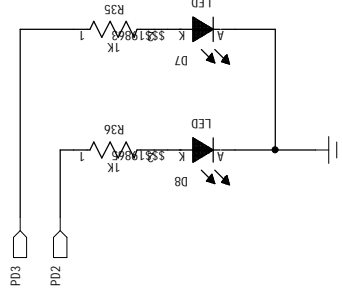
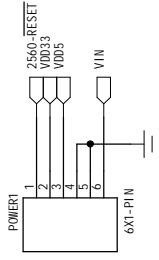
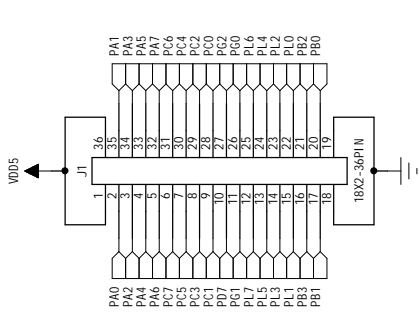
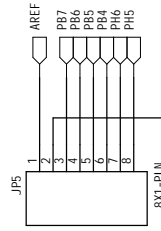
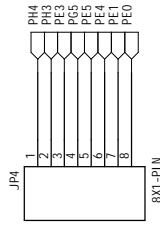
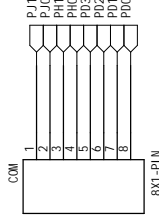
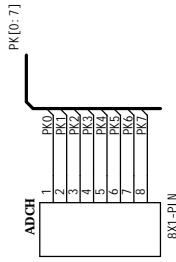
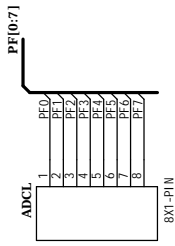
4

5

6



Company:	
Project Name:	Rev:
Sheet Name: MAX3421	
Designed by	
File Name: ADK.sch	Page size: B
Date :	Page Num: 3 of 5



D

C

B

A

Company:

Project Name:

Rev:

Sheet Name: INTERFACE

Designed by

File Name: ADK.sch

Page size: B

Date :

Page Num: 4 of 5

1

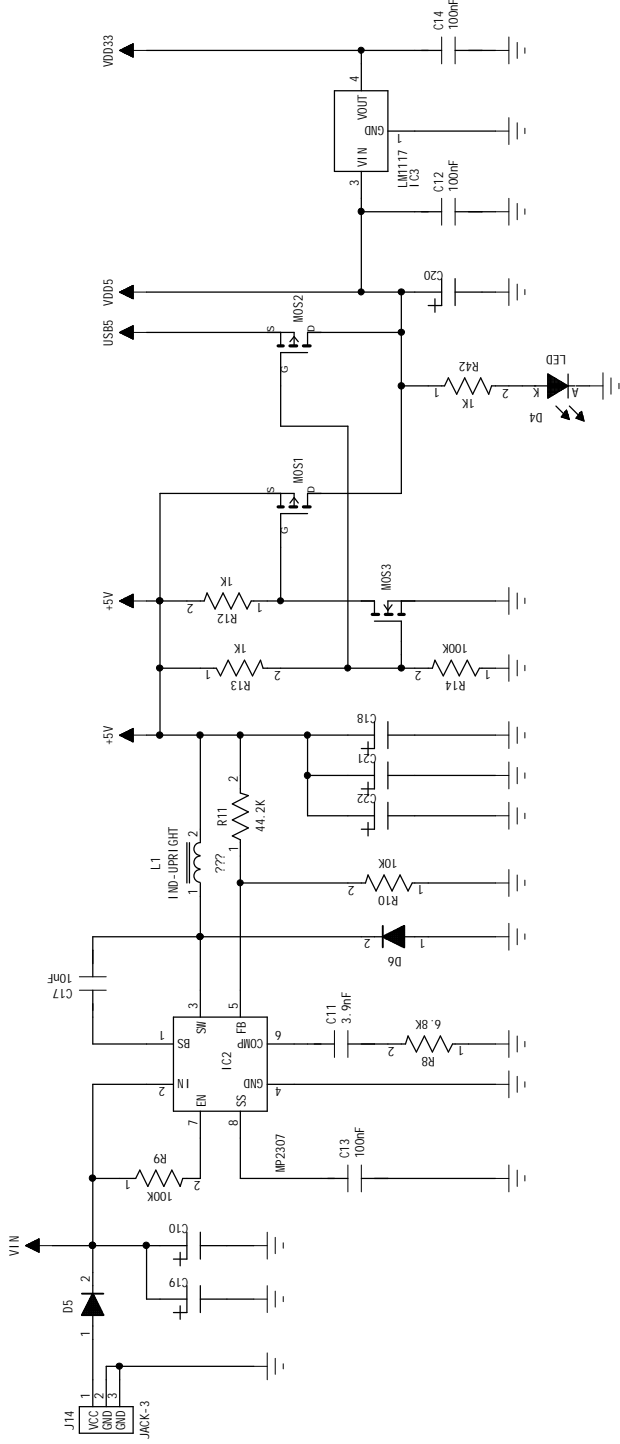
2

3

4

5

6



D

C

B

A

Company:

Project Name:

Rev:

Sheet Name: POWER

Designed by

File Name: ADK.sch

Page size: B

Date :

Page Num: 5 of 5

D

C

B

A