

1

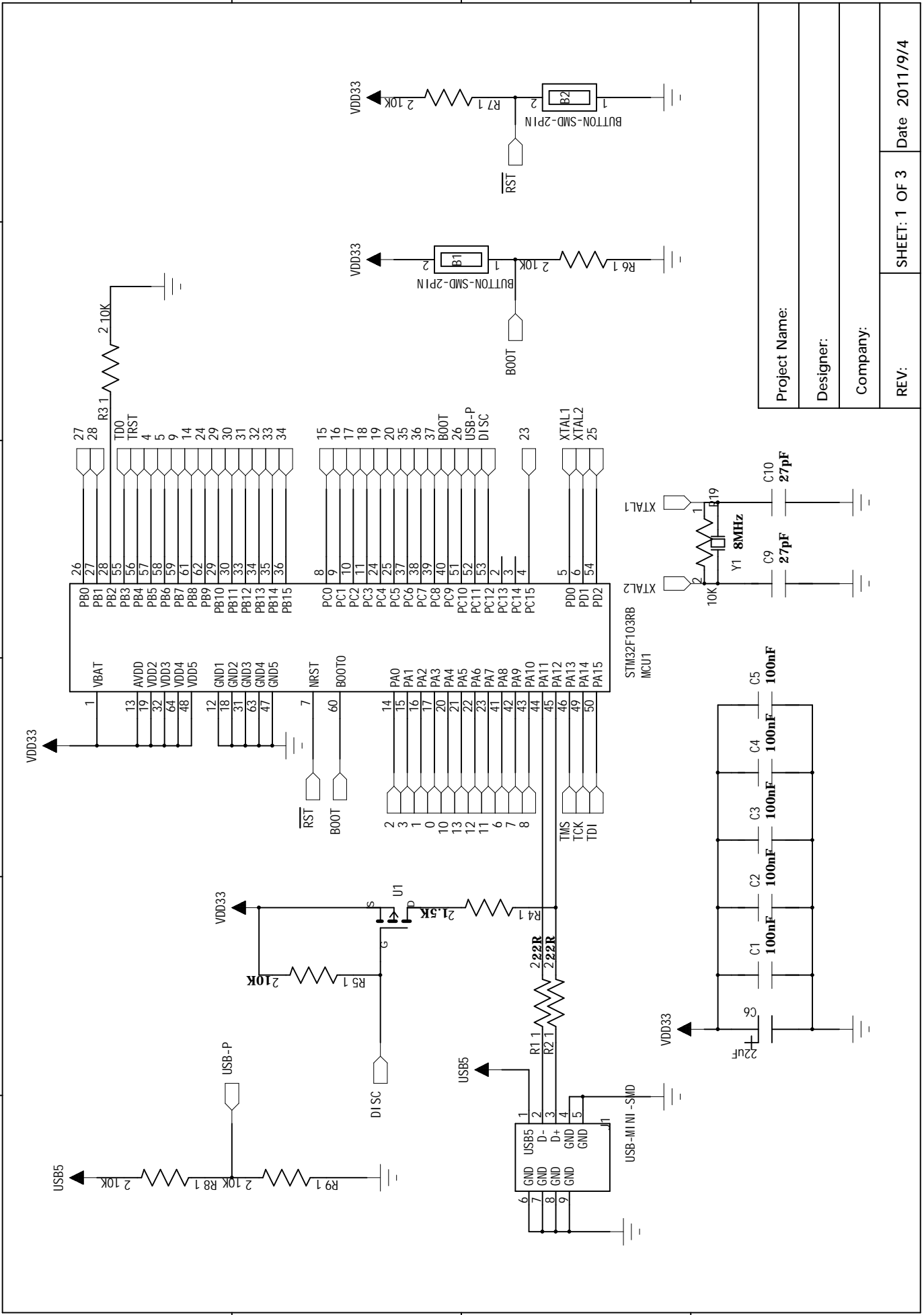
2

3

4

5

6



Project Name:	
Designer:	
Company:	
REV:	SHEET: 1 OF 3
Date 2011/9/4	

6

5

4

3

2

1

D

C

B

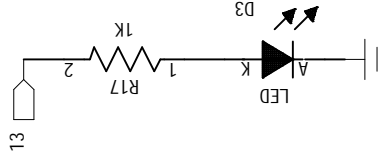
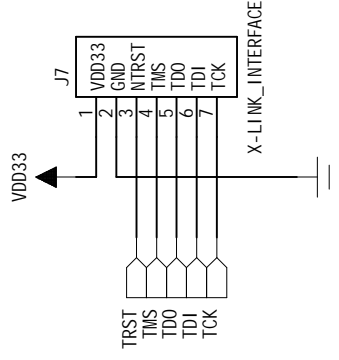
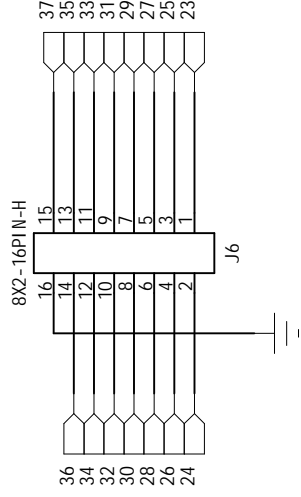
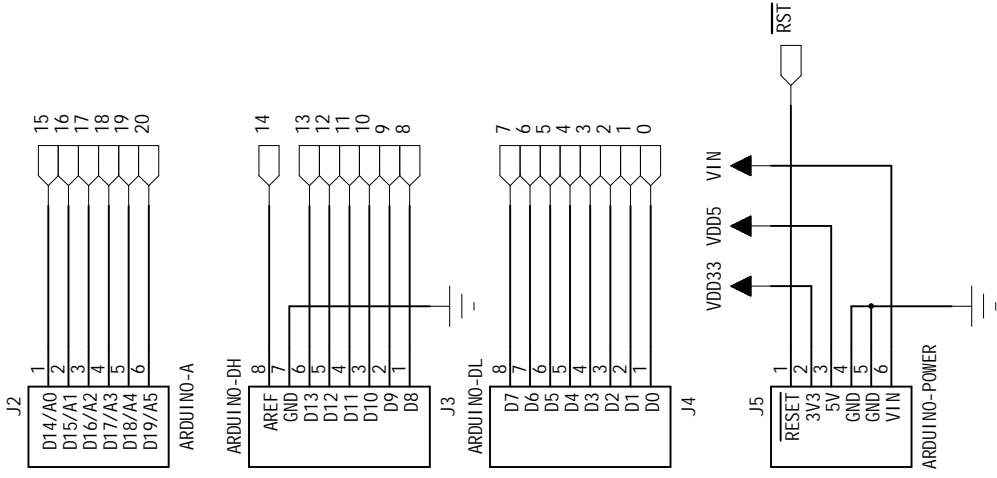
A

D

C

B

A



Project Name:

Designer:

Company:

REV:

SHEET: 2 OF 3

Date 2011/9/4

